

Dual PWM Amplifier G123-814

Description

The G123-814-001 Dual PWM Amplifier is used to drive both coils of a three position 24V solenoid operated proportional valve. It is specifically intended for use in low end closed loop applications. It allows a very low cost proportional valve to be used where normally a much more expensive servovalve would be needed. Coupling it with its companion servoamplifier, the G122-824, and a proportional valve, produces an economical closed loop solution.

An amplifier input signal of $\pm 10V$ is converted to proportional pulse width modulated (PWM) output currents. An input of 0 to +10V delivers a proportional 0 to 1 Amp current to coil A and a 0 to -10V input delivers a proportional 0 to 1 Amp current to coil B.

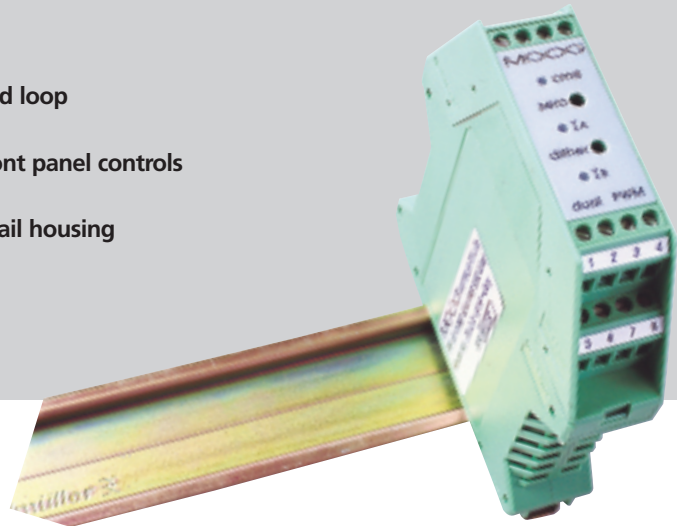
A fixed deadband compensation circuit compensates for spool overlap, making the amplifier suitable for closed loop applications. Adjustable dither level and output current zero adjustment are provided.

The user friendly front panel provides trimpots for dither and zero level adjustment. A dual colour LED indicates the magnitude and polarity of the command signal and two single colour LEDs indicate the magnitude of each of the coil currents. Two unused screw terminals on the housing double as test points for the coil current. 0 to -10V indicates 0 to 100% coil current.

The amplifier is housed in a compact DIN rail mounting enclosure and requires a +24V power supply.

Features

- Drives two solenoids of a three position valve
- PLC and servoamplifier compatible $\pm 10V$ input
- Deadband compensation, fixed
- Zero and dither adjustments
- Enable input
- Suited to closed loop applications
- Convenient front panel controls and indicators
- Compact DIN rail housing
- CE marked

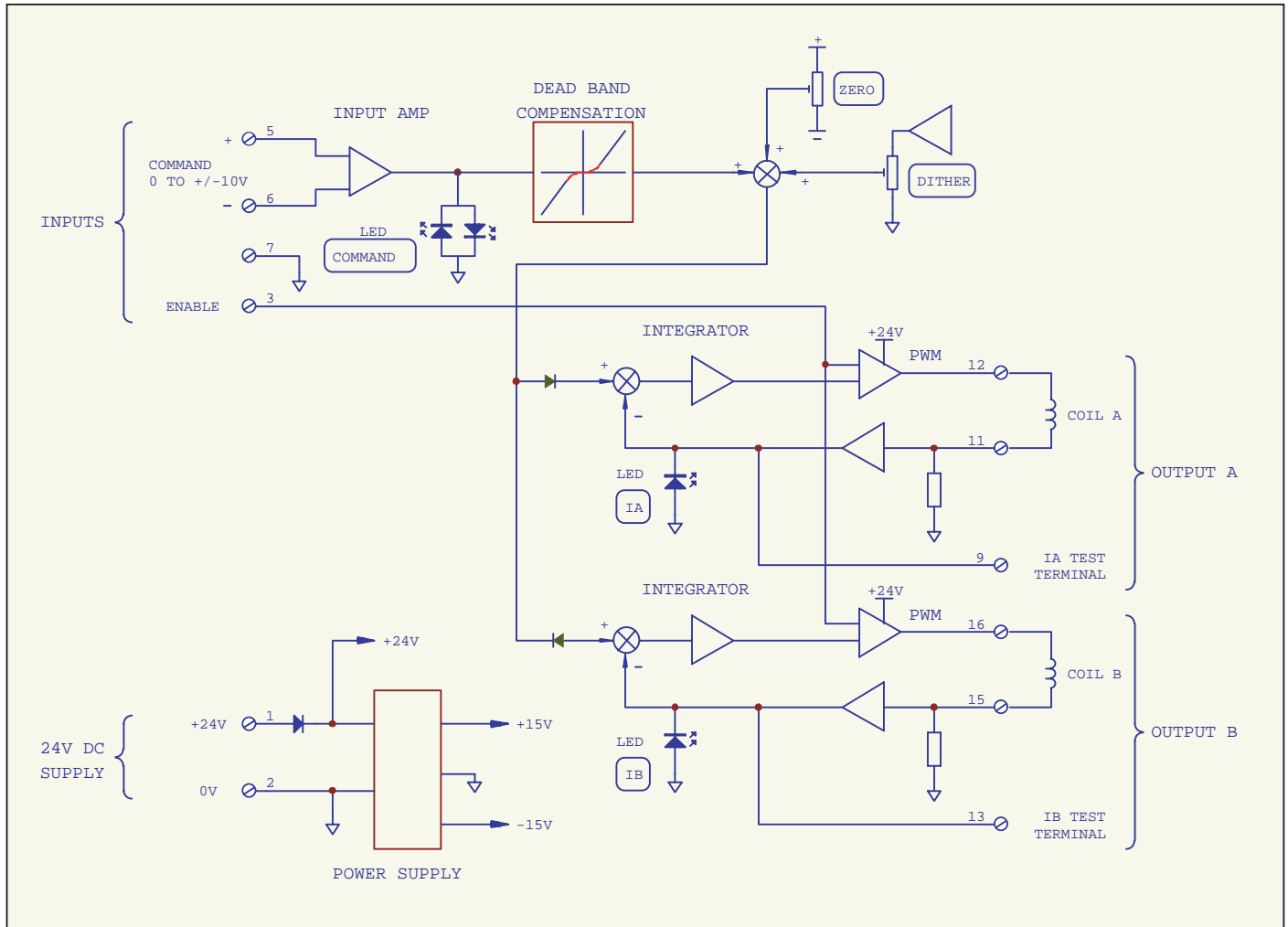


Specifications

Input:	Differential 0 to $\pm 10V$ 100 kOhm input resistance
Enable:	+10V to +24V 2mA @ 24V
Outputs:	Dual PWM @ 24kHz 1.0A $\pm 0.1A$
Maximum coil resistance:	22 Ohm
Coil current test terminals:	0 to -10V for 0 to 1A current
Deadband compensation:	$\pm 12\%$ nominal, not user adjustable
Dither:	100 Hz 0 to 0.1A
Zero:	0 to $\pm 0.15A$
Front panel indicators:	Command – positive = red negative = green I(A) = red I(B) = green

Supply:	24V nominal, 22 to 28V 50mA @ 24V, no load
Mounting:	DIN rail IP 20
Temperature:	0 to +40°C
Dimensions:	100W x 108H x 22.5D
Weight:	130g
CE mark:	EN50081.1 emission EN50082.2 immunity
C tick:	AS4251.1 emission

Operating Details



Applicability

The G123-814-001 has been structured to operate in a closed loop and optimised with a Hydrolux WP series proportional valve. The important specifications considered were the coils, which are 24V @ 800mA, and the spool overlap, which is 12%. Output current is 25% higher than nominal to ensure maximum flow is not overly compromised by valve production tolerances and spool Benoulli forces. The deadband compensation circuit, that cancels the spool overlap, has been optimised on a flow stand and during field applications. The dead band compensation is not user adjustable. Applying this amplifier to other valves with the same specifications will produce the same performance as achieved with the Hydrolux valve.

The G123-814 is not suitable for traditional open loop proportional valve applications. Because the deadband compensation circuit cancels the spool overlap, it is highly unlikely that a zero flow condition will result from zero coil current.

Ordering Information

Dual PWM Amplifier G123-814-001

Special configurations can be provided.

Consult your Moog sales office to discuss details.

MOOG

Moog Australia Pty. Ltd. A.C.N. 005 599 584, 14 Miles Street, Mulgrave, Vic 3170. Telephone: + 61 3 9561 6044. Fax: + 61 3 9562 0246.

Moog Australia Pty. Ltd. pursues a policy of continuous development and reserves the right to alter designs and specifications without prior notice. Information contained herein is for guidance only and does not form part of a contract.
 Australia: Melbourne and Sydney ■ Austria: Vienna ■ Brazil: São Paulo ■ Denmark: Birkerød ■ England: Tewkesbury ■ Finland: Espoo ■ France: Rungis ■ Germany: Böblingen, Dusseldorf ■ Hong Kong: Shatin ■ India: Bangalore
 Ireland: Ringaskiddy ■ Italy: Malnate (VA) ■ Japan: Hiratsuka ■ Korea: Kwangju-Kun ■ Philippines: Baguio City ■ Singapore: Singapore ■ Sweden: Askim ■ USA: East Aurora (NY)